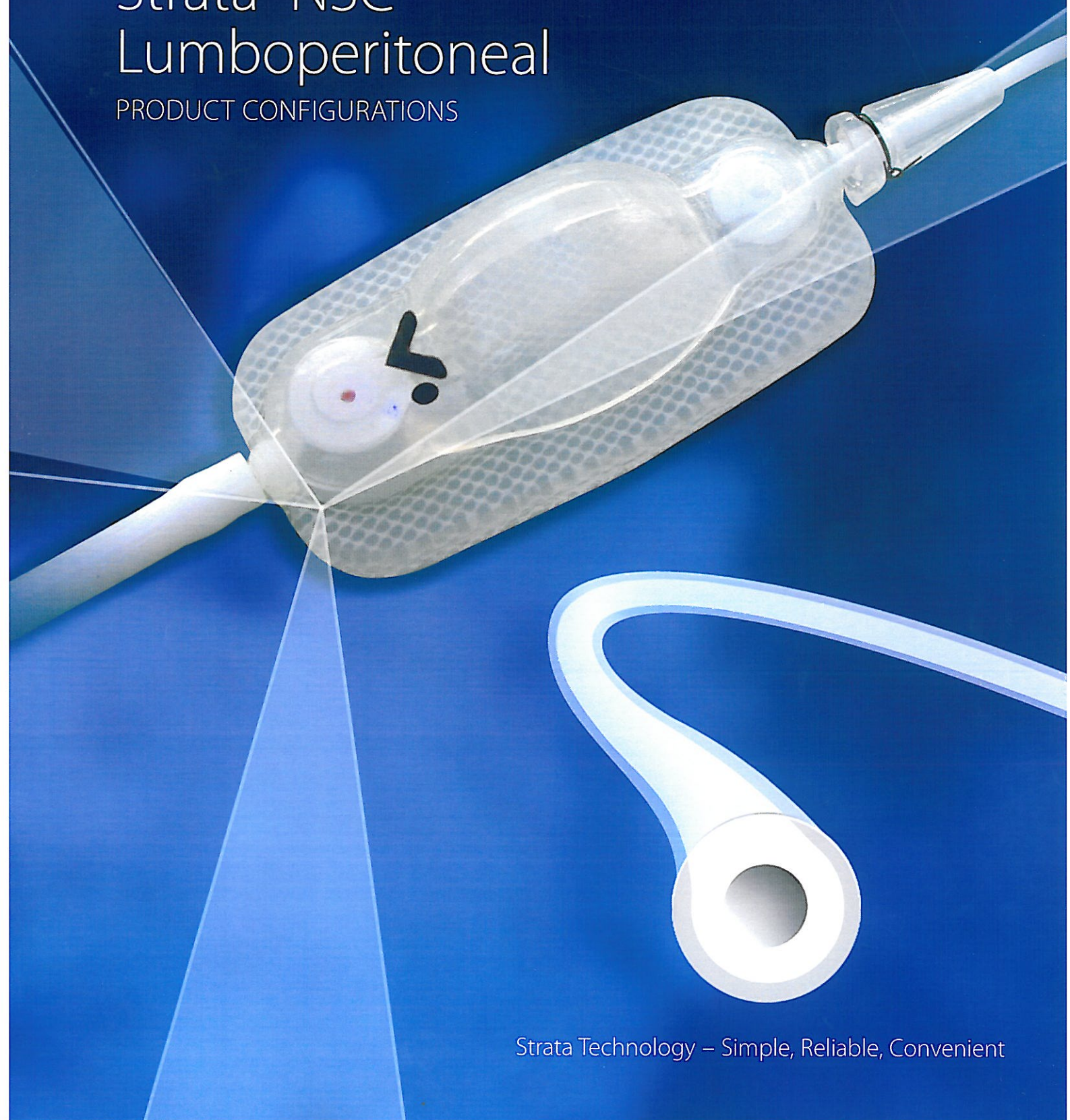




**Medtronic**

PS Medical®  
Strata® NSC  
Lumboperitoneal  
PRODUCT CONFIGURATIONS



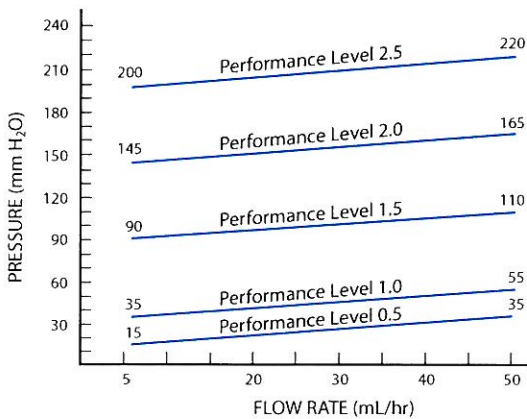
Strata Technology – Simple, Reliable, Convenient



# PS Medical® Strata® NSC Lumboperitoneal (LP) Shunt

The **PS Medical® Strata® NSC Lumboperitoneal (LP) shunt** is Medtronic Neurosurgery's newest technology for the treatment of hydrocephalus. The Strata NSC LP shunt is designed to provide continued cerebrospinal fluid (CSF) flow from the subarachnoid space into the peritoneal cavity. The Strata NSC lumboperitoneal valve allows the physician to non-invasively adjust the pressure/flow performance level pre- and post-implantation without the need for radiographic confirmation in order to address changing patient needs.

Prior to implantation, the Strata NSC LP valve performance level adjustment is accomplished with the use of the Strata II Valve adjustment Tools or the StrataVarius™ Adjustment System. **Postoperative adjustment of the Strata NSC LP valve can only be accomplished using the StrataVarius Adjustment System. It is essential that the StrataVarius Adjustment System be available for post-operative patient management.**

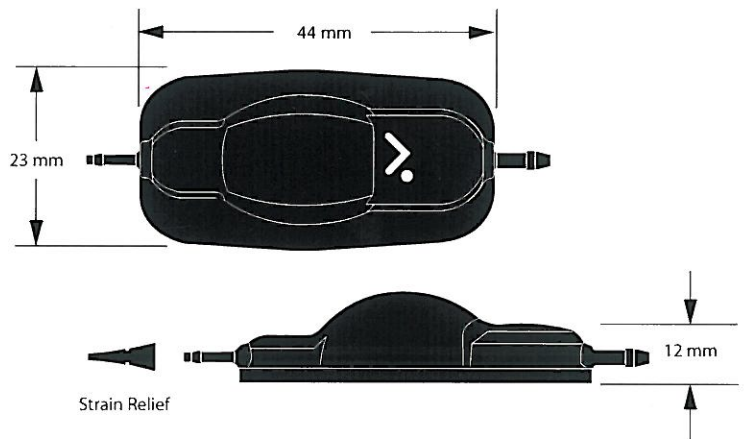


## Strata NSC LP Valve

REF No. 44465

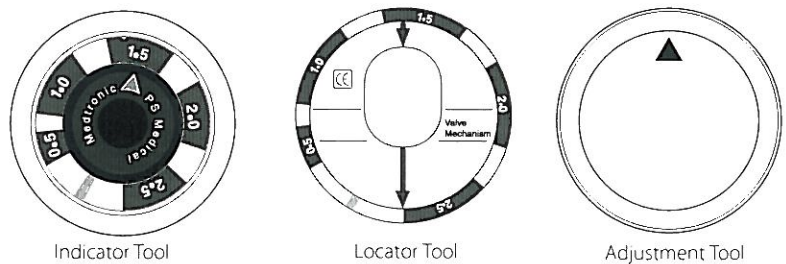
### Included with product:

- Strain Relief



## Strata II Valve Adjustment Tools\*

REF No. 45805



\*These tools may be used for pre-operative adjustment of the Strata NSC LP Valves

# StrataVarius™ Adjustment System

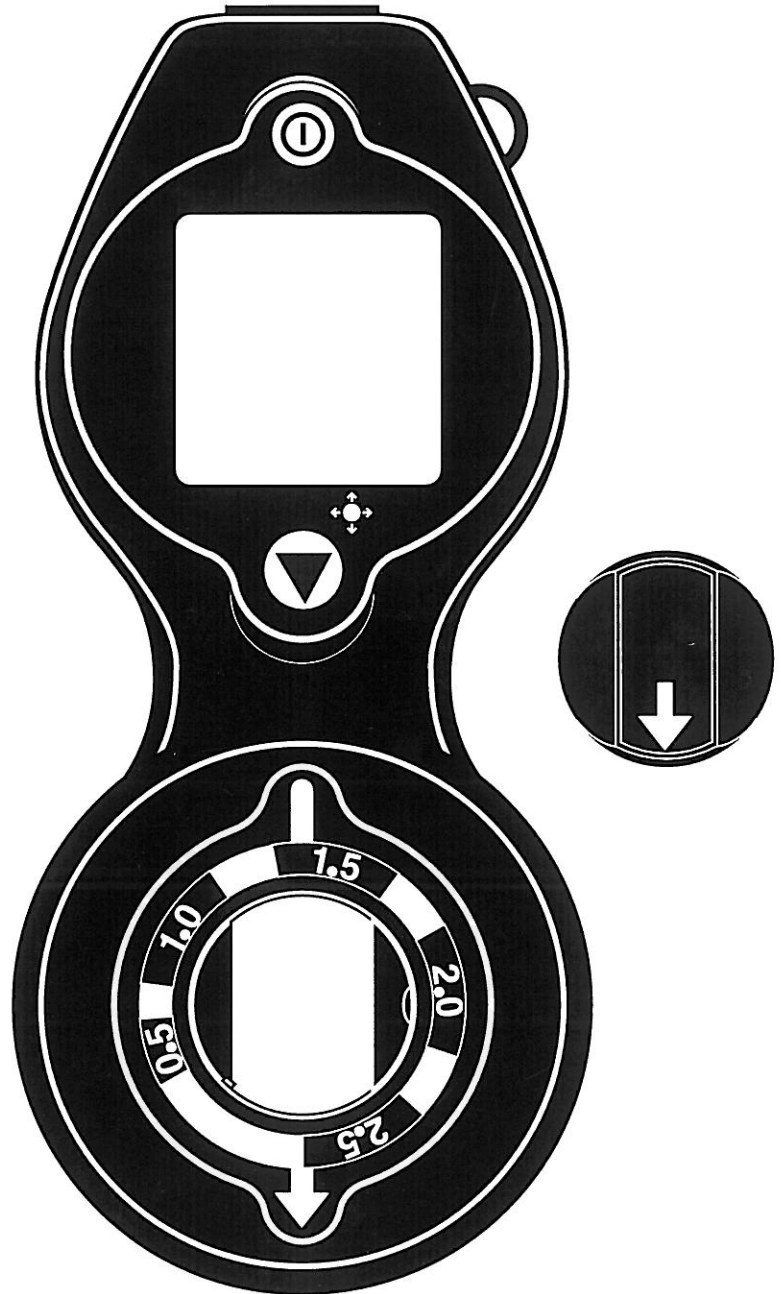
The **StrataVarius™ Adjustment System** is a battery-powered, handheld instrument that senses the location and orientation of the magnet contained in any Strata™-type adjustable valve. The StrataVarius works in conjunction with the StrataVarius Adjustment Tool to change the magnet orientation, and thus the Performance Level (PL) setting of the valve.

## StrataVarius Adjustment System\*

### Included with product:

- StrataVarius System
- Adjustment Tool
- Strata II Smart Card
- Strata NSC Smart Card
- Batteries
- Storage/Carrying Case
- X-Ray Templates
- Instruction Manual

REF No.	Description
45806	StrataVarius Adjustment System
45808	Strata NSC Smart Card (Replacement)
45809	StrataVarius Magnet (Replacement)



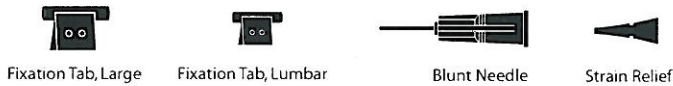
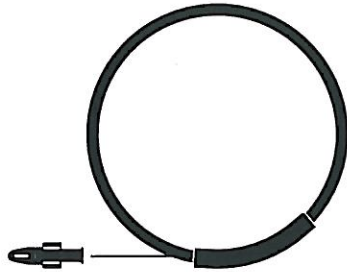
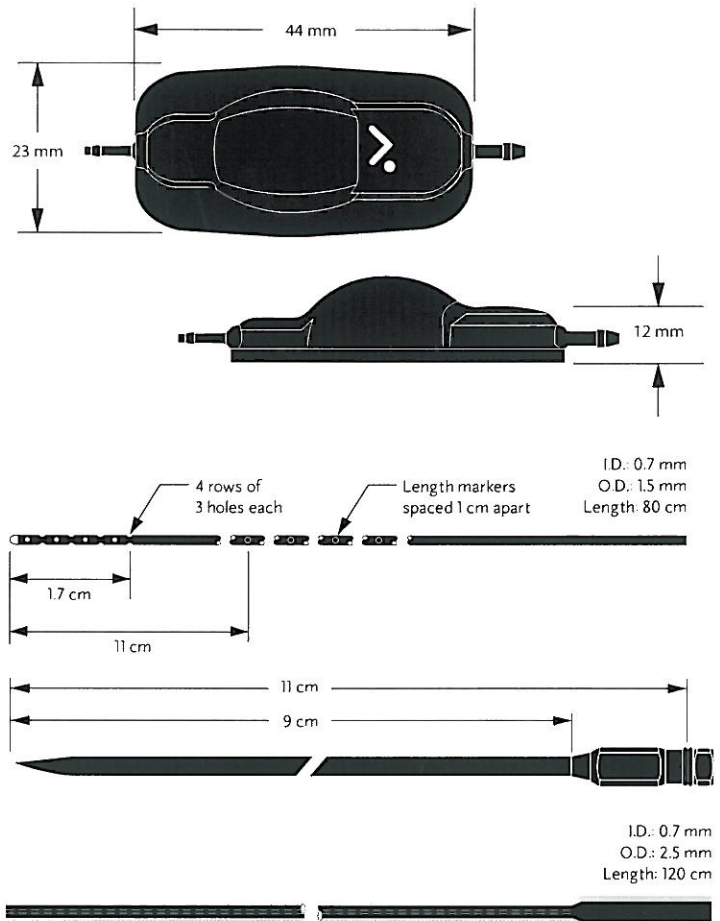
\* The StrataVarius Adjustment System is required for postoperative adjustment of any Strata NSC Lumboperitoneal (LP) product.

## Strata<sup>®</sup> NSC LP Shunt Kit with Closed Tip Lumbar Catheter

REF No. 44420

### Included with product:

- Strata NSC Lumboperitoneal Valve
- Lumbar Catheter, Closed Tip, Barium Impregnated
- Peritoneal Catheter, Small Lumen, Open End, Radiopaque, with Translucent Wall, 120 cm
- Touhy Needle, 14-Gauge, 9 cm, with Huber Tip
- Fixation Tab, Lumbar (2)
- Fixation Tab, Large (1)
- Blunt Needle, 20-Gauge
- Guidewire with Adjustable Stop
- Strain Relief

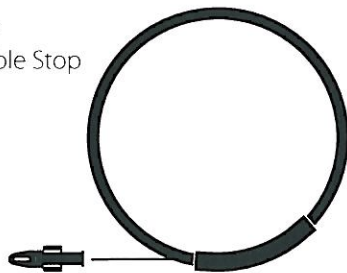
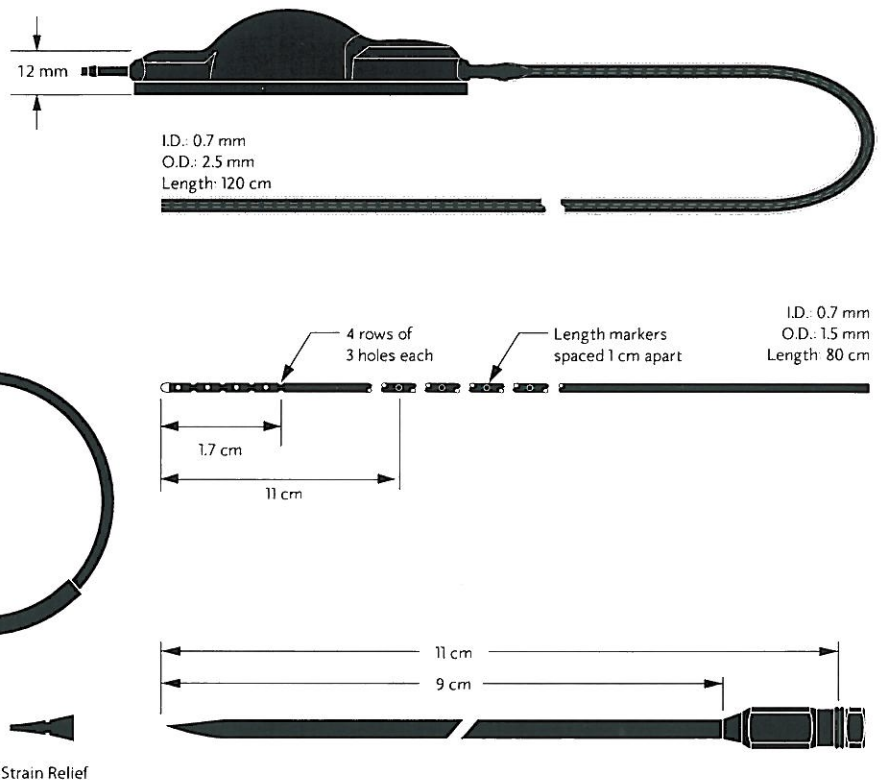


## Strata NSC LP Shunt Kit with Closed Tip Lumbar Catheter and Integral Peritoneal Catheter, Small Lumen

REF No. 44430

### Included with product:

- Strata NSC Lumboperitoneal Valve with Integral Lumbar Catheter, Closed Tip, Barium Impregnated
- Peritoneal Catheter, Small Lumen, Open End, Radiopaque, with Translucent Wall, 120 cm
- Touhy Needle, 14-Gauge, 9 cm, with Huber Tip
- Fixation Tab, Lumbar (2)
- Fixation Tab, Large (1)
- Blunt Needle, 20-Gauge
- Guidewire with Adjustable Stop
- Strain Relief

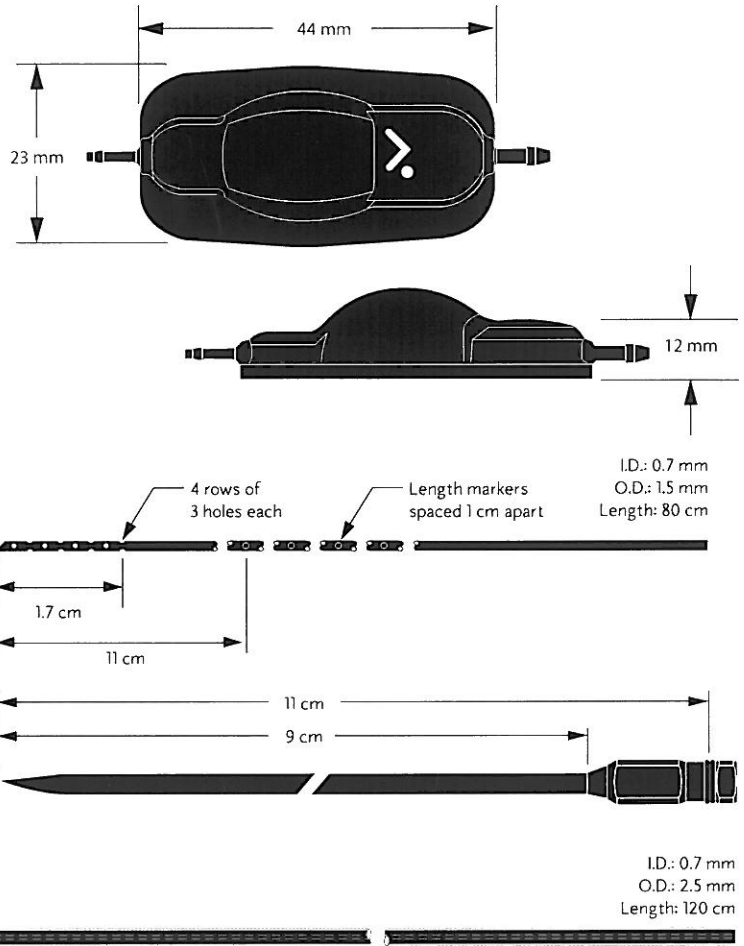


## Strata® NSC LP Shunt Kit with Open Tip Lumbar Catheter

REF No. 44421

### Included with product:

- Strata NSC Lumboperitoneal Valve
- Lumbar Catheter, Open Tip, Barium Impregnated
- Peritoneal Catheter, Small Lumen, Open End, Radiopaque, with Translucent Wall, 120 cm
- Touhy Needle, 14-Gauge, 9 cm, with Huber Tip
- Fixation Tab, Lumbar (2)
- Fixation Tab, Large (1)
- Strain Relief



Fixation Tab, Large



Fixation Tab, Lumbar



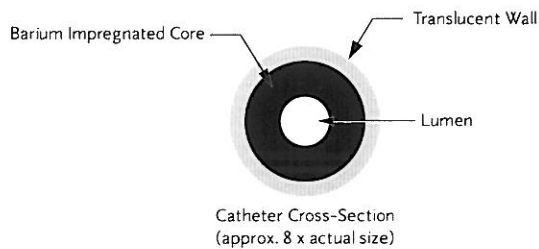
Strain Relief

## Peritoneal Catheter, Small Lumen, Radiopaque with Translucent Wall, 120 cm

REF No. 43555

### Included with product:

- Fixation Tab, Large



I.D.: 0.7 mm  
O.D.: 2.5 mm  
Length: 120 cm



Fixation Tab, Large

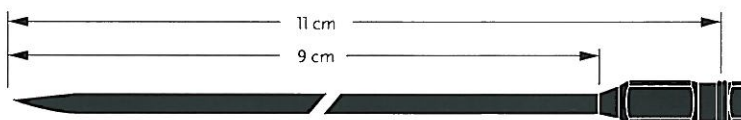
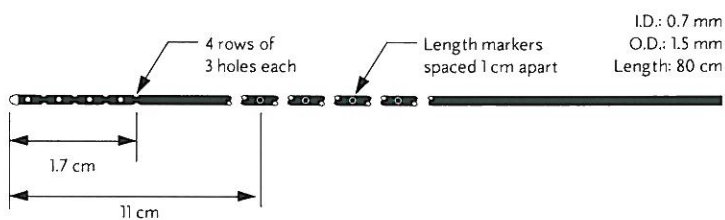
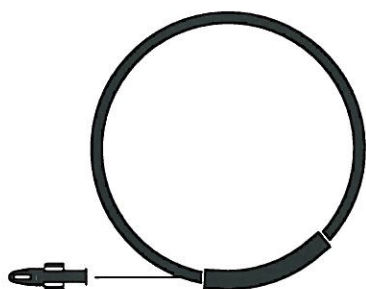
# Lumbar Catheter Kits

## Lumbar Catheter Kit, Closed Tip, 80 cm

REF No. 44405

### Included with product:

- Lumbar Catheter, Closed Tip, Barium Impregnated
- Touhy Needle, 14-Gauge, 9 cm, with Huber Tip
- Fixation Tab, Lumbar (2)
- Blunt Needle, 20-Gauge
- Guidewire with Adjustable Stop
- Strain Relief

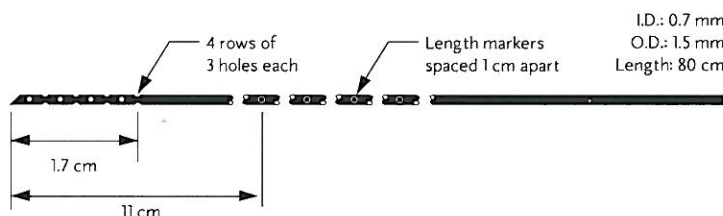


## Lumbar Catheter Kit, Open Tip, 80 cm

REF No. 44406

### Included with product:

- Lumbar Catheter, Open Tip, Barium Impregnated
- Touhy Needle, 14-Gauge, 9 cm, with Huber Tip
- Fixation Tab, Lumbar (2)
- Blunt Needle, 20-Gauge
- Strain Relief





For more information, please contact your  
Neurologic Technologies representative,  
or refer to [www.medtronic.com](http://www.medtronic.com).

**Medtronic Neurologic Technologies**

125 Cremona Drive • Goleta, CA 93117-5500 USA  
(800) 468-9710 USA/Canada  
(901) 344-0645 International  
(800) 468-9713 FAX  
(901) 396-2698 FAX International

**International Telephone Numbers**

Australia 1800-668-670  
Belgium 32-2456-09-09  
Canada 1800-217-1617  
China 86-21-50800998  
France 33-155-381-700  
Germany 49-2159-81490  
Hong Kong 852-2919-1312  
India 91-22-26836733  
Italy 39-02-24137-324  
Japan 81-3-6430-2017

Korea 82-2-3404-3600  
Lebanon 961-1-370-670  
Luxembourg 32-2456-09-09  
Netherlands 31-45-566-8371  
Poland 48-22-465-6942  
Portugal 351-21-724-51-28  
Spain 34-91-625-05-40  
UK 44-1923-205-168  
USA 1-901-344-0645



**Caution:** Federal (USA) law restricts this device to sale by or on the order of a physician. Refer to product package insert for instructions, warnings, precautions and complications.

This literature is intended for the exclusive use of physicians.  
Rx only. PS Medical® and Strata® are registered trademarks  
of Medtronic, Inc. StrataVarius™ is a trademark of Medtronic, Inc.  
© 2009, Medtronic, Inc.  
LIT59526 1009 2010-117 Rev.B